

# Chameleon Carts

Height adjustable cart  
for general purposes

## Chameleon Range



**Ergonomic**



**Easy to clean**



**Multi purpose**



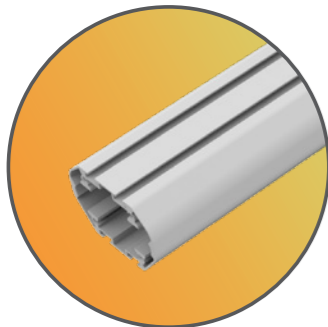
**Lifetime warranty**



**Quick setup**



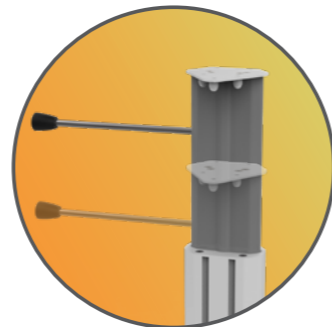
## FEATURES



Built in channels to fix accessories



Different bases with lockable wheels



Height adjustment



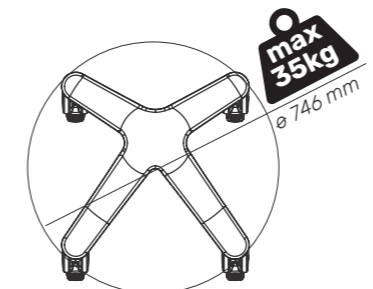
Designed and manufactured in Hungary, products are typically 100% recyclable and upgradable in the future. Raw materials are sourced locally or in the EU.

# Cart Properties

Dimensions and mechanical data



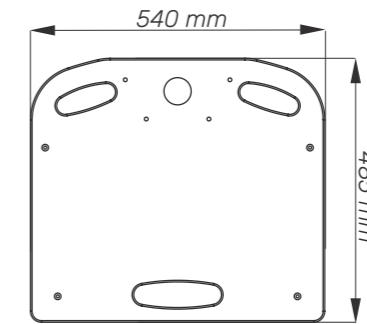
Range 7 - B4 Base



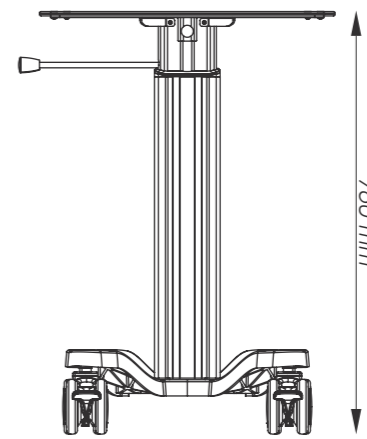
Range 6 - B3 Base



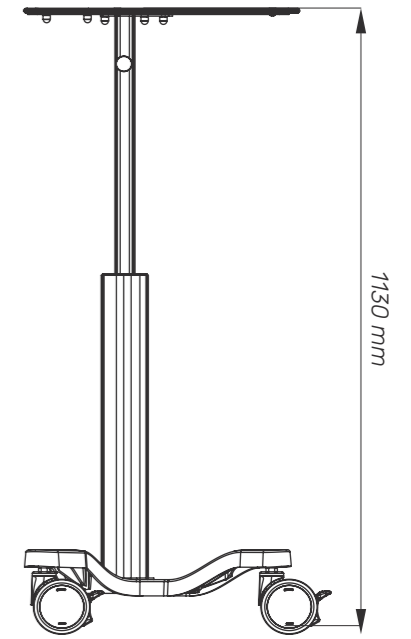
Range 4 - B1 Base



Worksurface



Front



Side

## Mechanical data

Height	Min: 760 mm Max: 1130 mm
Wheels/locking	2 lockable, 100mm diameter
Loading capacity up to 1 meter	B1: 25kg, B3: 35kg; B4: 65kg;

## Construction

Main material	Aluminium, PMMA
---------------	-----------------

## Color

RAL 9016	
Custom color	

## Certificates

Certificates conforms to	IEC60601-1:2012 (Edition 3)
CE	Rohs compliant

## Example of a Chameleon Cart

All the accessories shown are available in stock.  
For unique accessory requests please contact us!

### LAPTOP MOUNT LM4

- Depth adjustable
- Up to 17" laptops

### GEL HOLDER GH1

- DIN Rail mounted

### KEYBOARD TRAY KB2

#### KB2

- Wrist support
- Mouse holder
- Mouse tray
- Can be hidden under work surface

### DRAWERS D2

- Push to open
- Shelf on top

### COLUMN C5-L4

- C5H Column
- Variable height 760-1130 mm
- Gas spring
- Custom wrapping
- Column channels to fix accessories
- Aluminum

### LAPTOP PROTECTOR LM1

- 424 mm wide
- Up to 17" laptops

### WORK SURFACE WS6

- 540x485 mm
- Aluminium, colored

### SCANNER HOLDER SH1

- DIN Rail mounted

### DIN RAIL DR1

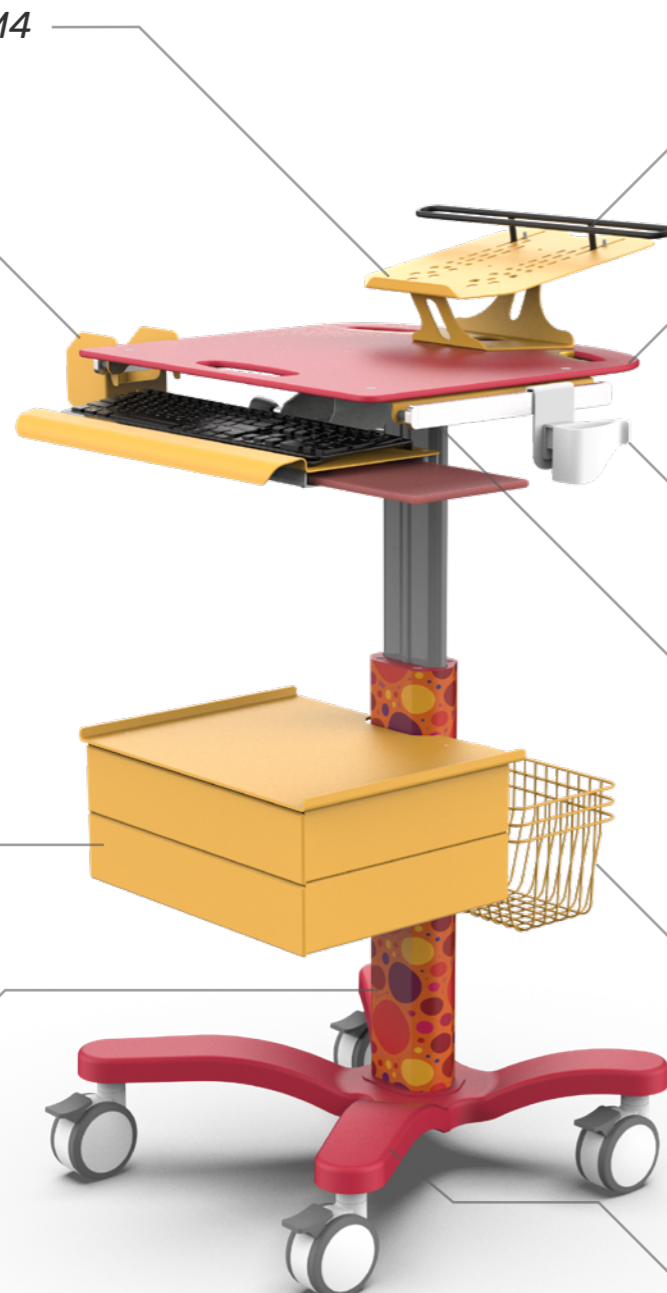
- 300x10x25 mm

### STORAGE ST1

- Hidden under the shelf

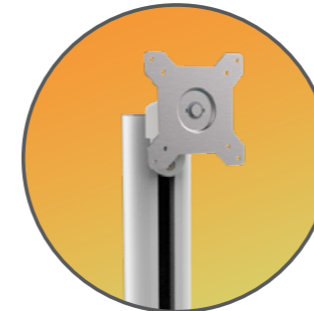
### BASE B3-W4

- B3 Base
- W4 100 mm wheels (Rubber coated)
- Aluminum
- Cherry painting
- 35 kg max. load

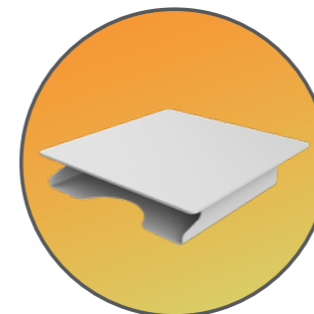


## Equipped Chameleon Cart

Other possible accessories shown in the pictures.  
List of all accessories shown on next pages.



Display and tablet mount options



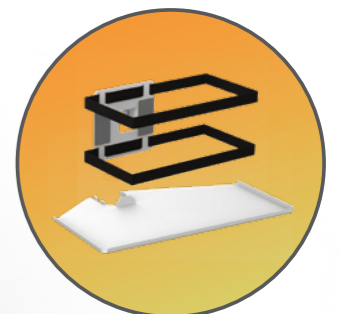
Drawers, shelves and storages available



Base options according to your needs. Smaller footprint or higher level of stability.



Battery pack and power supply accessories



Desktop computer and other mounting solutions available

# Accessories for Chameleon

Click or scan the QR Codes for Datasheets.

## Display and Tablet Mount options



VESA Mount 1  
VES1



VESA Mount 2  
VES2



Display mount 2  
DM2



Display mount 5  
DM5



Display mount 6  
DM6



Display mount 7  
DM7



Display mount 8  
DM8



Display mount 9  
DM9



Camera mount 1  
CM1



Camera mount 2  
CM2



Tablet Mount 2  
TM2



Tablet Mount 2-XL  
TM2-XL



Tablet Mount 3  
TM3

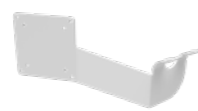
## Holder options



Mouse Holder  
MH1



Scanner Holder 1  
SH1



Scanner Holder 2  
SH2



Scanner Holder 3  
SH3



Scanner Holder 4  
SH4



Gel Holder 1  
GH1



Gel Holder 2  
GH2



Gel Holder 3  
GH3



Cable Hook  
CH1-C2



Cable Hook  
CH2-C2



Rubber Scanner Holder 1  
SR1



Rubber Scanner Holder 2  
SR2



Rubber Scanner Holder 3  
SR3



Humidifier mount  
AM1

## Gas bottle holders



Gas Bottle Holder 1  
GBH1

# Accessories for Chameleon

Click or scan the QR Codes for Datasheets.

## DIN Rail options

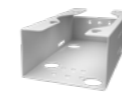


Din Rail 300x10x25mm  
DR1



Din Rail 400x10x25mm  
DR3-C5

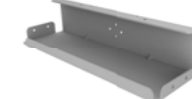
## PSU Holder options



PSU Holder 1  
PSH1-C5



PSU Holder 2  
PSH2-C5



PSU Holder 3  
PSH4-C5



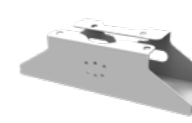
PSU Holder 4  
PSH4-C5



PSU Holder 5  
PSH5-C5



PSU Holder 7  
PSH7-C5



PSU Holder 8  
PSH8-C5



PSU Holder 9  
PSH9-C5

## Shelf options



Shelf 1  
S1-C5



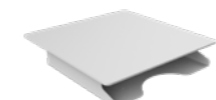
Shelf 2  
S2-C5



Shelf 3  
S3-C5



Shelf 4  
S4-C5



Shelf 6  
S6-C5



Shelf 8  
S8-C5



Shelf 10  
S10-C5



Shelf 11  
S11-C5

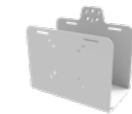
## CPU Mount options



CPU Mount Small  
CPU1



CPU Mount Medium  
CPU2



CPU Mount Big  
CPU3



CPU Mount Large  
CPU4

## Drip Pole Clamp and Drip Pole options



Drip Pole Clamp 12.7mm  
DRC1



Drip Pole Clamp 25mm  
DRC2



Drip Pole  
IV1

# Accessories for Chameleon

Click or scan the QR Codes for Datasheets.

## Storage options



Small Basket  
ST1-C5



Large Basket  
ST2-C5



Storage Bin  
ST3-C5



Small Basket  
ST6-C5



Large Basket  
ST7-C5



Storage Bin  
ST8-C5



Handle and Storage  
ST5-C5

## Power function options



Power strip 3  
PDU3



Power strip 4  
PDU4



Power strip 5  
PDU5



Power strip 8  
PDU8



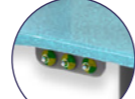
Potential Equalisation pin  
POW-A2-15/25



Potential Equalisation socket  
POW-A3-15/25



Potential Equalisation cable  
POW-A4-3/5

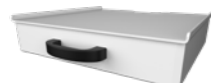


POAG Studs  
POW-A1



Battery Pack  
PWP

## Drawer options



Drawer 1  
D1



Drawer 2  
D2



Drawer 3  
D3



Drawer 4  
D4



Drawer 5  
D5



Drawer 6  
D6



Drawer 7  
D7



Drawer 8  
D8



Drawer 9  
D9



Drawer 10  
D10



Drawer 11  
D11

## Laptop mount options



Laptop protector  
LM2



Laptop protector  
LM3



Laptop mount  
LM4



# Accessories for Chameleon

Click or scan the QR Codes for Datasheets.

## Arm options



Snake 1 Arm  
SNA1-XX-L3-FLH



Snake 2 VESA mount  
SNA2-XXX-00-VM



## Work surface options



Work surface 3  
WS3



Work surface 6  
WS6



Work surface 7  
WS7



Work surface 11  
WS11



Work surface 13  
WS13



Work surface 15  
WS15



Ultrasound work surface 3  
WS-US3



Ultrasound work surface 2  
WS-US2



Custom colored  
Aluminum work surfaces

## Keyboard tray options



Keyboard Tray  
KB1



Keyboard Tray  
KB2



## Component options



Range 4 Base  
B1



Range 6 Base  
B3



Range 7 Base  
B4



Counter balance 3.6 kg  
CBW-3



Counter balance 6 kg  
CBW-6



100 mm Wheel  
GJM3-100-2-W4



Anti-static 100 mm Wheel  
GJM3-100-2-W6



Rubber inserts



Height adjustable column  
C5H



Custom colors & Wrappings