

PAX-121 (M Model)

21.5" Multimodal Clinical Display



Features

- Wide 21.5 screen with Full HD 1920x1080 resolution
- Fanless design with optional upgrade IP54-rated protection for superior hygiene and infection control
- Multimodal design for easy upgrades and maintenance
- With 10 point multi-touch control function



Introduction

PAX-121 multimodal model is a versatile touch monitor with optional IP54 environmental protection. With touchscreen and cover glass options. Modularized design enables one step to upgrade to all-in-one computer with easy maintenance feature as well.

Specifications

LCD	Screen Size	21.53"
	Resolution	1920 x 1080
	Aspect Ratio	0.672916667
	Pixel Pitch	0.08265 x 0.24795mm
	Viewing Angle	R/L 178(Type.),U/D 178(Type.)
	Contrast Ratio	1000:1
	Native Luminance (Typ)	250nits
	Color Depth	16.7 Million (6-bit + A-FRC)
	Display Mode	Transmissive Mode, Normally black
	Response Time	14 msec (Typ, on/off)
	Touch Screen	10-point multi touch P-CAP (clear glass); Option without Touch
Backlight	LED	
Input	DP 1.2 input	1 x DP Jack DisplayPort 1.2, 1920 x 1080 @ 60 Hz max.
	HDMI 1.4 Input	HDMI Jack x 1 (Type A) Digital RGB: TMDS, 1920 x 1080 @ 60 Hz max.
	DVI Input	DVI Jack x 1 (DVI) Digital RGB: TMDS, 1920 x 1080 @ 60 Hz max.
	USB Up	USB-B Jack x 1
	Audio Input	Audio Jack x 1
Output	HDMI 1.4 output	HDMI Jack x 1 (Type A) Digital RGB: TMDS, 1920 x 1080 @ 60 Hz max.
	Audio Output	Audio Jack x 1
Audio	Speaker	2Watt x 2
Power	Rating	DC 12V/5A max
IP Rating	Front Panel	IP65
	System	IPX1, optional for IP54
Button function	DDC/CI (Tool)**	Menu/Exit/Up/Down
Option	DICOM Part 14(AAPM)	Yes, support
	Touch Disable	Software mode adjustment
Certification	EMC & Safety	CCC,CE, FCC Class B
Physical Characteristics	Dimensions (W x H x D)	524 x 357 x 58 mm/20.63 x 14.06 x 2.28 in
	Weight	5.5 kg/12.13lb
	VESA Mount	100 x 100; 75 x 75 mm
Environment	Operating Temperature	0 ~ 40 °C/32 ~ 104 °F
	Storage Temperature	-20 ~ 60 °C/-4 ~ 140 °F
Warranty	System	2 years

*Optional input,SFP+Module x2 (AD Board to HDMI input,AVAS SFP to HDMI output)

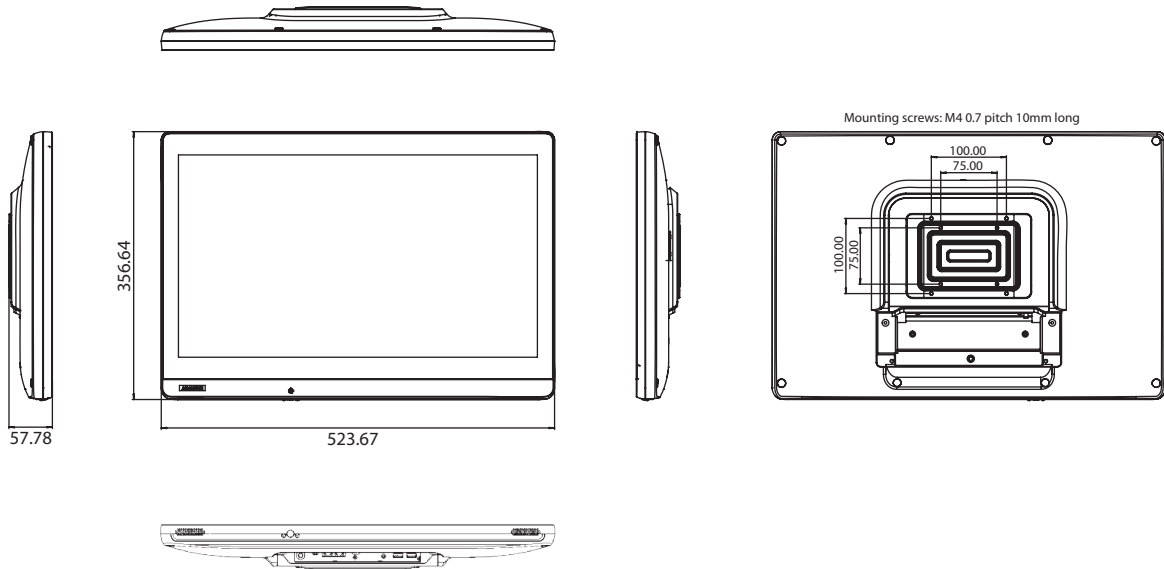
If you have requirements of this specification, you can ask Advantech sales to buy AVAS product

** This tool need to be installed into user's PC, please download from link: [https://www.advantech.com/search/?q=PAX-124%20\(M%20Model\)&st=support](https://www.advantech.com/search/?q=PAX-124%20(M%20Model)&st=support)

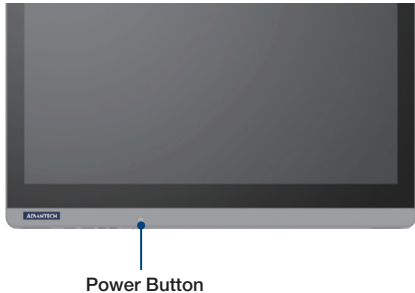
PAX-121 (M Model)

Dimensions

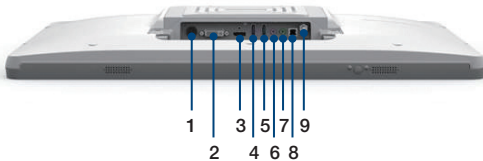
Unit: mm



Front Function Keys



I/O Ports

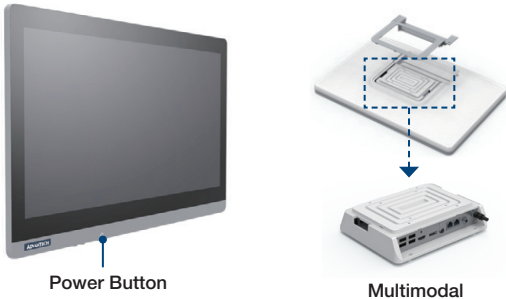


- 1.DC In
- 2.DVI In
- 3.DP In
- 4.HDMI Out
- 5.HDMI In
- 6.Audio In
- 7.Audio Out
- 8.USB B
- 9.Ground Pin

Ordering Information

Part number	Adapter	Touch Panel & Touch Cable
PAX-121G-C2A-LMC	Yes	Yes
PAX-121G-C2A-LMD	Yes	No

KTB-822 Multimodal SKU




Multimodal



Power Cord List

Part No.	Description
96CB-POWER-B-1.8MA	Power Cord (China), 3P 1.8M, BK(CCC)
17AP164900518011	Power Cord CEE 7/16+C13 L1.8M (CE)
1700013977	Power Cord 10A 250V 3P 180/90 CCC 200cm (CCC)
1702002600	Power Cord 3P UL/CSA(USA) 125V 10A 1.83M 180D(USA)
1700020098	Power Cord 3P 10A 250V 183CM (Australian)
1702002605	Power Cord 2P FRANCE 10A/16A 220V 1.83M 90D (EU)
1700001714	Power Cord BSMI 3P 7A 125V 18AWG 180CM (BSMI)
1700000237	Power Cord 3P PSE 12A 125V 1.83M (Japan)

Recommended Mounting Solution

Model Name	ARES-2421R
Part Number	ARES-2421R-HA74100
Photo	
Max. Support Weight	2 - 8kg
Max. Support Panel Size	≤ 27"
VESA Information	75 x 75 mm 100x100 mm

For more information, please click this link: <https://bit.ly/3T7dLMR>