

PAX-121 (F Model)

21.5" Clinical Display



Features

- Wide 21.5 screen with Full HD 1920x1080 resolution
- Fanless design with upgrade IP54-rated protection for superior hygiene and infection control
- With 10 point multi-touch control function
- Factory calibration included for GAMMA 2.2
- Compliant with IEC/EN 60601-1-2 EMC, IEC/EN 60601-1 MDR, UL60601-1 standards for medical devices



Introduction

PAX-121 fixed model is a versatile touch monitor with IP54 environmental protection and medical safety approval. With touchscreen and cover glass options.

Specifications

LCD	Screen Size	21.53"
	Resolution	1920 x 1080
	Aspect Ratio	0.672916667
	Pixel Pitch	0.08265 x 0.24795mm
	Viewing Angle	R/L 178(Type.),U/D 178(Type.)
	Contrast Ratio	1000:1
	Native Luminance (Typ)	250nits
	Color Depth	16.7 Million (6-bit + A-FRC)
	Display Mode	Transmissive Mode, Normally black
	Response Time	14 msec (Typ, on/off)
	Touch Screen	10-point multi touch P-CAP (clear glass); Option without Touch
Backlight	LED	
Input	DP 1.2 input	1 x DP Jack DisplayPort 1.2, 1920 x 1080 @ 60 Hz max.
	HDMI 1.4 Input	HDMI Jack x 1 (Type A) Digital RGB: TMDS, 1920 x 1080 @ 60 Hz max.
	DVI Input	DVI Jack x 1 (DVI) Digital RGB: TMDS, 1920 x 1080 @ 60 Hz max.
	USB Up	USB-B Jack x 1
	Audio Input	Audio Jack x 1
Output	HDMI 1.4 output	HDMI Jack x 1 (Type A) Digital RGB: TMDS, 1920 x 1080 @ 60 Hz max.
	Audio Output	Audio Jack x 1
Audio	Speaker	2Watt x 2
Power	Rating	DC 12V/5.42A max
IP Rating	Front Panel	IP65
	System	IP54
Button function	Keypad or DDC/CI (Tool)**	Menu/Exit/Up/Down/PWR
Option	GAMMA (2.2)	Factory calibration included, user re-calibration supported
	DICOM Part 14 (AAPM)	Optional for factory calibration (choose either GAMMA or DICOM)
	Touch Disable	Software mode adjustment
Certification	EMC & Safety	CCC,CE, FCC Class B, UL60601-1, IEC/EN 60601-1, IEC/EN 60601-1-2(EMC)
Physical Characteristics	Dimensions (W x H x D)	524 x 357 x 58 mm/20.63 x 14.06 x 2.28 in
	Weight	5.5 kg/12.13lb
	VESA Mount	100 x 100; 75 x 75 mm
Environment	Operating Temperature	0 ~ 40 °C/32 ~ 104 °F
	Storage Temperature	-20 ~ 60 °C/-4 ~ 140 °F
Warranty	System	3 years

*Optional input,SFP+Module x2 (AD Board to HDMI input,AVAS SFP to HDMI output)

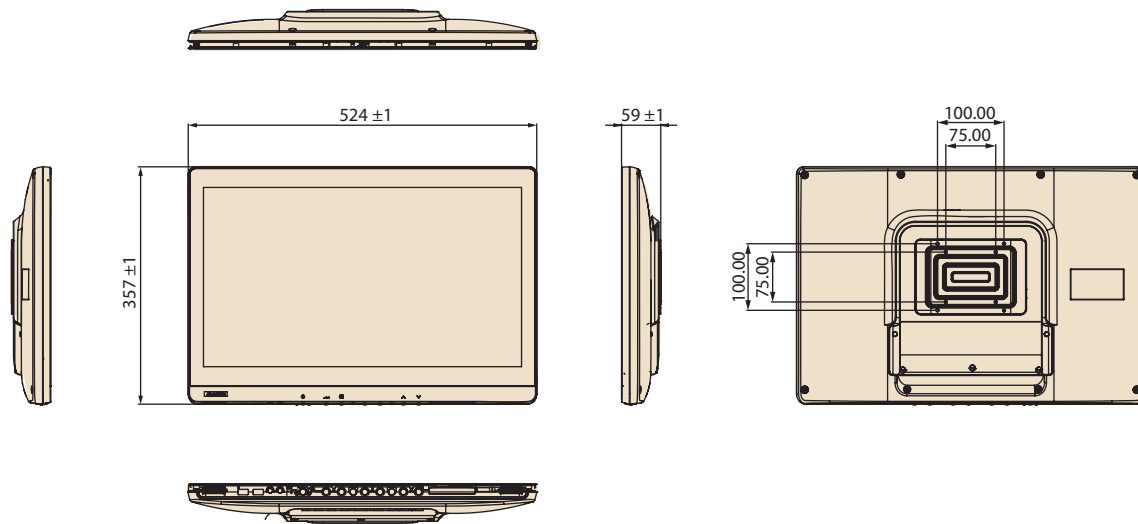
If you have requirements of this specification, you can ask Advantech sales to buy AVAS product

** This tool need to be installed into user's PC. Please download the file from link: [https://www.advantech.com/search?q=PAX-124%20\(M%20Model\)&st=support](https://www.advantech.com/search?q=PAX-124%20(M%20Model)&st=support)

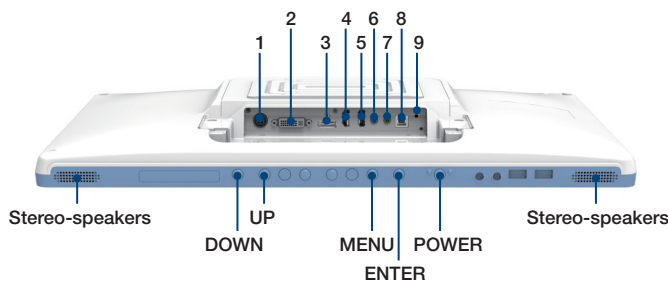
PAX-121 (F Model)

Dimensions

Unit: mm



I/O Ports



- 1.DC In
- 2.DVI In
- 3.DP In
- 4.HDMI Out
- 5.HDMI In

- 6.Audio In
- 7.Audio Out
- 8.USB B
- 9.Ground Pin

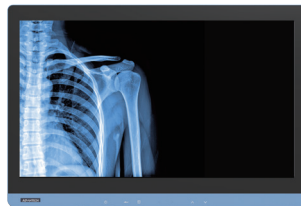
Ordering Information

Part Number	Touch Panel/Glass	Colour
PAX-121B-C2A-LFD	Clear Glass	Blue
PAX-121B-C2A-LFC	Touchscreen	Blue
PAX-121W-C2A-LFD	Clear Glass	White
PAX-121W-C2A-LFC	Touchscreen	White

Power Cord List

Part No.	Description
1700019146	Power Cord CCC 3P 2.5A 250V 183cm(CCC)
170203183C-01	Power Cord EU 3P 2.5A 250V 183cm(CE)
1700001524	Power Cord UL 3P 10A 125V 183cm(UL)
170203180A	Power Cord BSI 3P 2.5A 250V 183cm(UK)
1700008921	Power Cord PSE 3P 7A 125V 183cm(Japan)
1700025113-11	Power Cord ISI 3P 2.5A 250V 180cm(India)
1700021375-01	Power Cord BSMI 3P 2.5A 125V 250cm (IEC60320-C5)(BSMI)
1700018553	Power Cord SAA 3P 2.5A 250V 183cm(Australian)


High-precision & Quality Imaging for DICOM Compliance



IP54 Enclosures



Recommended Mounting Solution

Model Name	ARES-2421R
Part Number	ARES-2421R-HA74100
Photo	
Max. Support Weight	2 - 8kg
Max. Support Panel Size	≤ 27"
VESA Information	75 x 75 mm 100x100 mm

For more information, please click this link: <https://bit.ly/3T7dLMR>